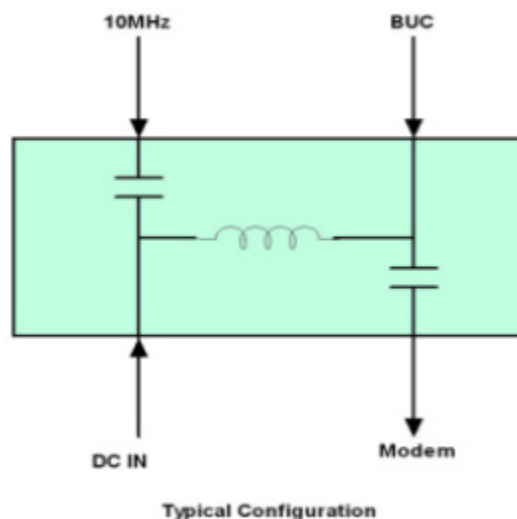


# Power Inserters

10MHz Extractor

## V-EXIN/PN-DCI



The Global Foxcom 10MHz Extractor / Inserter is used to extract, and/or Insert a 10MHz reference signal and DC onto an L-Band path in VSAT systems.

Inserts or Extracts DC and/or 10MHz (common port) onto an L-Band path.

Blocks any existing DC and 10MHz (common port) already on the L-Band path.

Injects DC onto the common port.

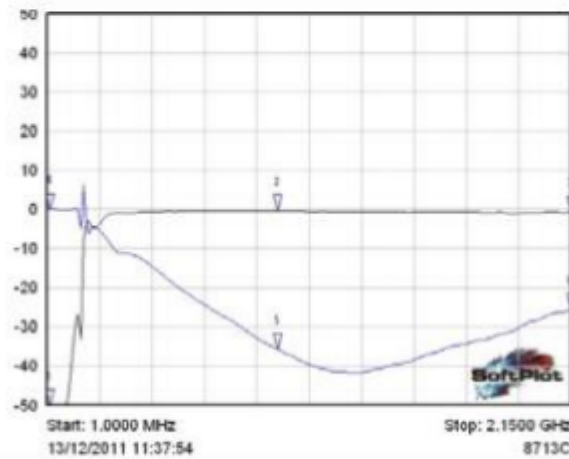
Other connector configurations are available upon request.

# Power Inserters

10MHz Extractor

## VSAT DC Block/Inserter Specifications

L-Band Frequency Range	950 – 2150MHz
L-Band Insertion Loss	<1dB
L Band Return Loss	>15dB
10MHz Insertion Loss (10MHz to Composite Port)	<0.5dB
10MHz Rejection (L Band Port to Composite Port)	>90dB
Max DC Voltage	75V
Max DC Current	4 Amps
Connectors	N-Type 50 Ohm Female
Dimensions	88 x 43 26mm
Mounting Dimensions	78 x 32mm (M3)
Weight	250 grams



Mkr	Trace	X-Axis	Value	Notes
1	PORT 1	11.7450 MHz	-97.64 dB	10MHz Blocking
2	PORT 1	946.5600 MHz	-0.28 dB	L Band Passing
3	PORT 1	2.1500 GHz	-0.67 dB	L Band Passing
4	PORT 2	11.7450 MHz	-0.04 dB	10MHz Passing
5	PORT 2	946.5600 MHz	-35.75 dB	L Band Blocking