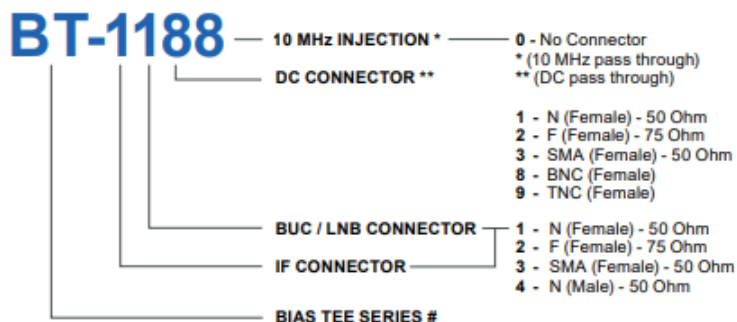


**L-BAND BIAS TEE**



**Applications**

- Provides DC Supply to high power BUC (DC Power Supply separate) incase modem cannot supply sufficient power
- Allows up to 3A of current injection in N-Connector Model
- Passes L-band signal
- Passes or Injects 10 MHz Reference Signal

**SPECIFICATIONS**

**DC Input**

<b>Voltage</b>	0V to 30V
<b>Current</b>	BUC / LNB Connector - F: 2A max. - N: 3A max. - SMA: 3A max.

<b>Operating Temperature</b>	-30 to +50°C
<b>Storage Temperature</b>	-40 to +70°C
<b>Dimensions (L x W x H)</b>	105 mm x 55 mm x 25 mm (4.1 in x 2.2 in x 0.9 in)
<b>Weight</b>	170 g (5 oz)

**L-band Pass Through**

<b>Pass-band</b>	950 - 2150 MHz (N, SMA) 950 - 1450 MHz (F)
<b>Insertion Loss</b>	1 dB max. 7 dB max. with 50/75 ohms transformation
<b>Input VSWR</b>	2.0 : 1 max.
<b>Output VSWR</b>	2.0 : 1 max.

**10MHz Pass Through / 10 MHz Injection (Optional)**

<b>10MHz Pass Band</b>	10 - 100 MHz
<b>Insertion loss maximum</b>	1 dB