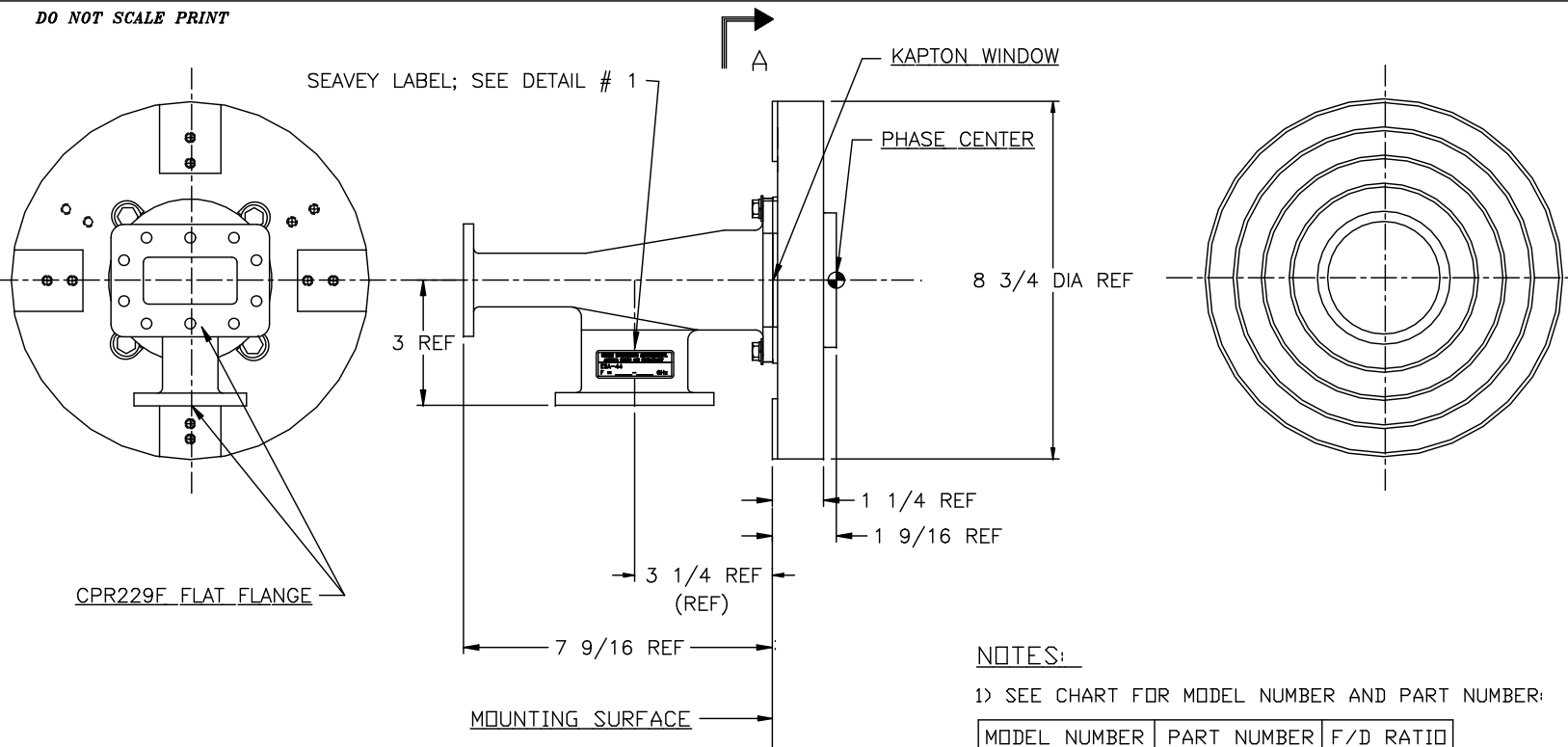


DO NOT SCALE PRINT

REVISIONS				
THIS DRAWING WAS ORIGINALLY ISSUED UNDER ECN #				
ECN#	REV	DESCRIPTION	DONE BY	DATE
2490	A	ORIGINAL ISSUE (DWG. REPLACES 7907-804)	RF	6-3-96



SEAVEY ENGINEERING ASSOCIATES, INC.
 ANTENNA DESIGN AND DEVELOPMENT
 ESA-44
 F = 3.7-4.2 GHz

DETAIL # 1

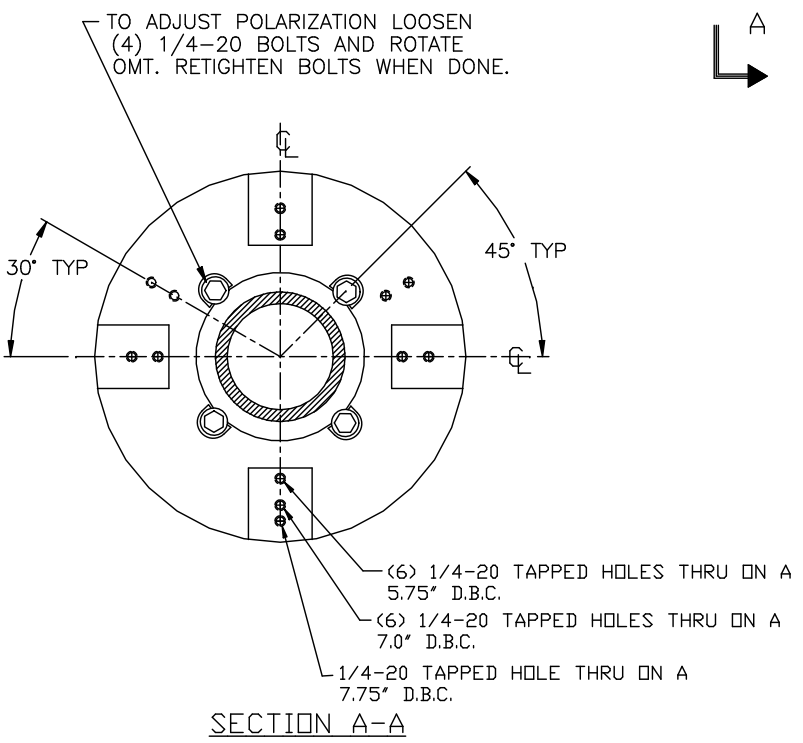
NOTES:

1) SEE CHART FOR MODEL NUMBER AND PART NUMBER:

MODEL NUMBER	PART NUMBER	F/D RATIO
ESA-44-1	7907-804-1	.30-.34
ESA-44-2	7907-804-2	.35-.42
ESA-44-3	7907-804-3	.43-.55

SPECIFICATIONS

FREQUENCY.....3.7 - 4.2 GHz
 POLARIZATION.....DUAL LINEAR
 VSWR.....1.4:1
 ISOLATION.....32 dB
 ON AXIS CROSSPOL.....30 dB



MATERIAL			
ALUMINUM			
UNLESS OTHERWISE SPECIFIED DIMENSIONS ARE IN INCHES			
TOLERANCES:			
FRACTIONS	ANGLES	DECIMALS	X = ±.060 XX = ±.030 XXX = ±.005
±1/16"	±1/2°		
SEAVEY ENGINEERING ASSOCIATES, INC. >>> COHASSET, MA. 02025			
TITLE			
ESA-44			
DRAWN: FREDLUND		DA 6E3-96	
CHECKED:		DATE	
ENGR. APPD:		DATE	
Q.A. APPD:		DATE	
SIZE	FSCM NO.	DWG NO.	REV
C	60173	7907-804	A
SCALE	~	WT.	~
		SHEET	1 OF 1